

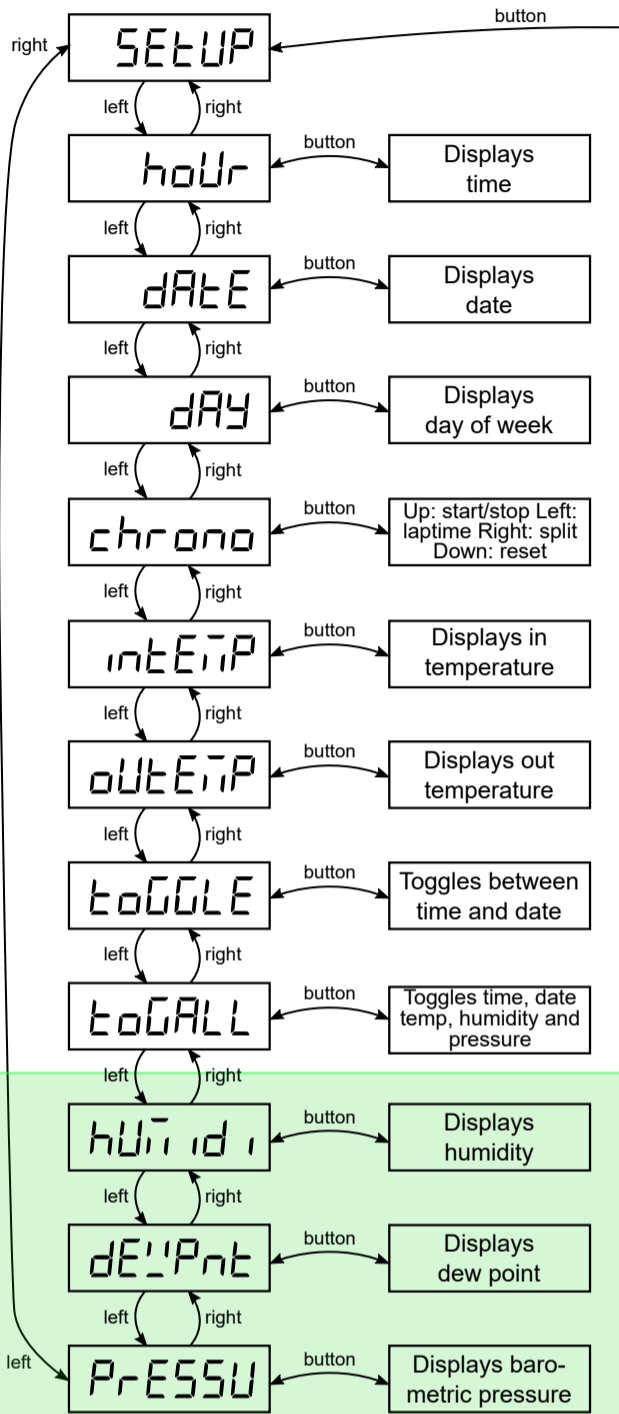
Digital wall clock menu diagram for FW 1.20

© jaka 2021 <http://kair.us/>

Main level

Setup menu

IR Remote control setup menu



These menus are visible only if BME280 sensor found

